



AA-HRTDx3E

Three Roll Standard Toilet Paper Dispenser

Features:

- Made in USA
- Drip Deflective
- Shroud Protected Padlock
- Surface Mounted
- Accommodates Multiple Paper Styles
- Corrosion Resistant
- Industry Leading Warranty against Vandalism

Dimensions: 16 1/2" x 5 3/4" x 5 5/8" (WxHxD)

Weight: 11 lbs - 12 gauge Stainless Steel
6.5 lbs - 16 gauge Stainless Steel

Material Options:

- 12 gauge 304L Stainless Steel
- 16 gauge 304L Stainless Steel
- 12 gauge 316L Stainless Steel

Model Names:

- AA-HRTDx3E-304L-12g
- AA-HRTDx3E-304L-16g
- AA-HRTDx3E-316L-12g

Finish: Stainless Steel Satin #4 Finish

Mounting: 3/8" Mounting Hole Placements

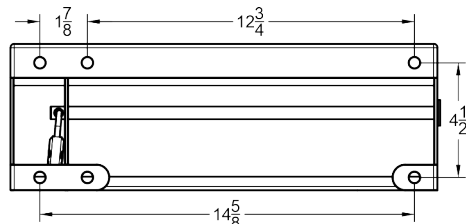
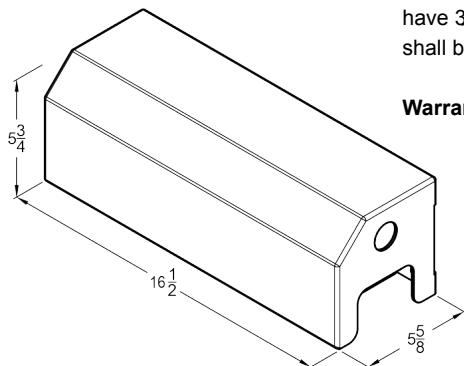
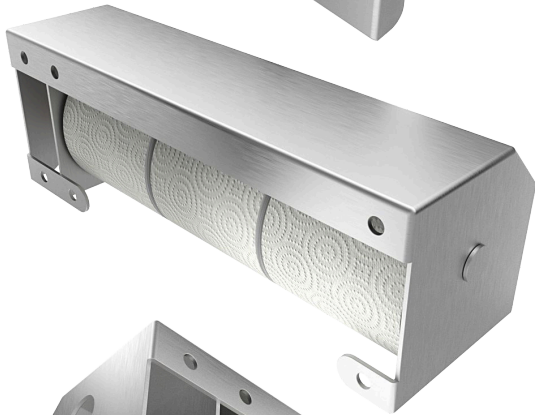
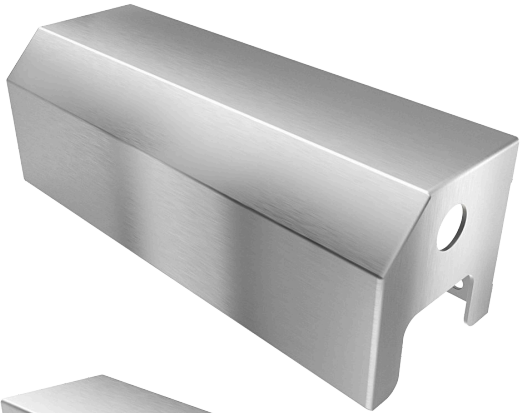
Capacity:

- 3 Standard Core Roll Up to 5" Diameter
- 3 High Density Coreless Roll up to 5" Diameter

Installation: Secure fixture to wall with appropriate 3/8" Stainless Steel anchoring hardware (not provided) for optimal installation strength. Recommended 3/4" or greater back bracing for walls. Partitions may require T-nuts or other suitable anchoring devices. When possible it is recommended that units be through bolted back-to-back providing optimal installation strength.

Guide Specification: Dispenser shall be constructed with American made, 12 or 16 gauge 304L or 12 gauge 316L Stainless Steel joined /w TIG welds and edges deburred. Dispenser shall not be cross-metal contaminated during manufacturing construction. Dispenser housing shall provide protective cover for tissue paper against drip and spray. Protective shroud adds security for padlock. Dispenser shall have 3/8" mounting holes. Dispenser shall accept multiple paper styles. 316L SS shall be used for US Navy maritime use or if exposure to salt water is prevalent.

Warranty: See Website Product Page for Details.



www.vandalstop.com



Phone
(530) 894 7867

Vandal Stop Products by Atlas American LLC
1930 Village Center Circle #3-5871
Las Vegas, NV 89134

E-Mail
sales@vandalstop.com