



AA-EB-6R replaced with AA-EB-1G-CL

(This item is still available made to order but has been updated with a newer product)
One Gang Electrical Outlet Security Box with Key Lock



Features:

- Vandal Resistant
- Spray and Drip Deflective
- Protective Shroud for Padlock
- Surface Mounted
- Fits most single-gang duplex receptacle boxes (not included)
- Corrosion Resistant
- Industry Leading Warranty against Vandalism

Dimensions:

- Exterior: 6" x 8 5/8" x 4" (WxHxD)
- Interior: 4 3/4" x 6 1/4" x 3 1/2" (WxHxD)

Weight: 8 lbs

Material Options:

- 12-gauge 304L Stainless Steel
- 12-gauge 316L Stainless Steel

Model Names:

- AA-EB-6R-304L-12g
- AA-EB-6R-316L-12g

Finish: Stainless Steel Satin # 4 Finish

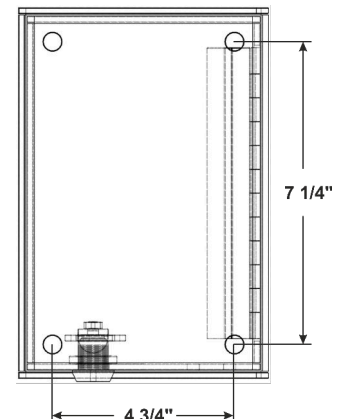
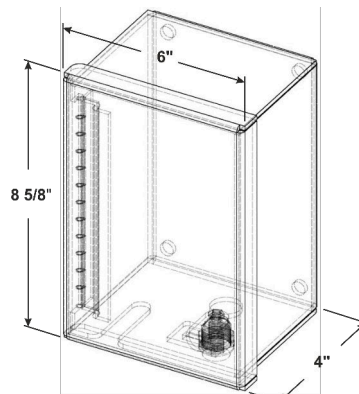
Mounting: 3/8" Surface Mounting Hole Placements

Capacity: Fits most single-gang duplex receptacle boxes (not included).
1/2" Conduit, with up to 0.8" outside diameter.

Installation: Secure fixture to wall with appropriate 3/8" stainless steel anchoring hardware (not provided) for optimal installation strength. Recommended 3/4" or greater back bracing for walls. Partitions may require T-nuts or other suitable anchoring devices. When possible it is recommended that units be through bolted back to back providing optimal installation strength.

Guide Specification: Security Box shall be constructed with American made, 12 gauge 304L or 12 gauge 316L Stainless Steel joined w/ TIG welds and edges deburred. Security Box shall not be cross-metal contaminated during manufacturing construction. Security Box shall provide protective cover against drip and spray. Protective shroud adds security for padlock. Security Box shall have 3/8" mounting holes. Security Box shall accommodate standard single-gang duplex receptacle box styles. 316L SS shall be used for US Navy maritime use or if exposure to salt water is prevalent.

Warranty: See Website Product Page for Details.



www.vandalstop.com

Phone
(530) 894 7867

Vandal Stop Products by Atlas American LLC
1930 Village Center Circle #3-5871
Las Vegas, NV 89134

E-Mail
sales@vandalstop.com

