



## AA-TR14

### 14 Gallon Corner Trash Receptacle

**Features:**

- Made in USA
- Vandal Resistant Corner Trash Receptacle
- Heavy Duty Stainless Steel Material
- Surface Mounted
- Heavy Duty Mounting Points
- 14-Gallon Capacity
- Easy Removed Inner Liner
- Corrosion Resistant
- Industry Leading Warranty against Vandalism

**Dimensions:** 10 3/4" x 32 3/4" x 10 3/4" (WxHxD)

**Weight:** 65 lbs - 12 gauge Stainless Steel  
48 lbs - 16 gauge Stainless Steel

**Volume:** 14 gal

**Material Options:**

- 12-gauge 304L Stainless Steel
- 16-gauge 304L Stainless Steel
- 12-gauge 316L Stainless Steel \*Special Order

**Model Names:**

- AA-TR14-304L-12g
- AA-TR14-304L-16g
- AA-TR14-316L-12g

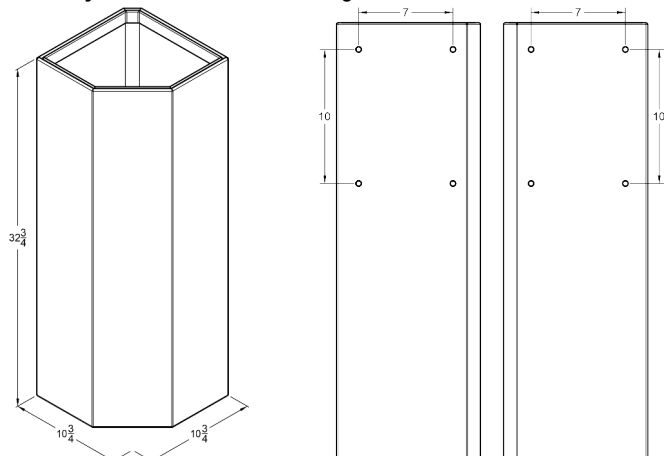
**Finish:** Stainless Steel Satin #4 Finish

**Mounting:** 3/8" Surface Mounting Hole Placements

**Installation:** Secure fixture to wall with appropriate 3/8" stainless steel anchoring hardware (not provided) for optimal installation strength. Recommend 3/4" or greater back bracing for walls. Partitions may require T-nuts or other suitable anchoring devices. When possible it is recommended that units be through bolted back to back providing optimal installation strength.

**Guide Specification:** Shall be constructed with American made, 12 or 14 gauge 304L or 12 gauge 316L Stainless Steel joined w/ TIG welds and edges deburred. Shall not be cross-metal contaminated during manufacturing construction. Shall have 3/8" mounting holes. 316L SS shall be used for US Navy maritime use or if exposure to salt water is prevalent.

**Warranty:** See Website Product Page for Details.



[www.vandalstop.com](http://www.vandalstop.com)

**Phone**  
(530) 894 7867

Vandal Stop Products by Atlas American LLC  
1930 Village Center Circle #3-5871  
Las Vegas, NV 89134

**E-Mail**  
sales@vandalstop.com

