



## AA-HRTD-LCx2E Two Roll Standard Toilet Paper Dispenser



**Features:**

- Vandal Resistant
- Industrial Grade Heavy Duty
- Made in USA
- Drip Deflective
- Surface Mounted
- Accommodates Multiple Standard Roll Paper Styles
- Corrosion Resistant
- Industry Leading Warranty against Vandalism

**Dimensions:** 10" x 5 $\frac{3}{4}$ " x 5 $\frac{5}{8}$ " (WxHxD)

**Weight:** 7 lbs - 12 gauge Stainless Steel  
4.5 lbs - 16 gauge Stainless Steel

**Material Options:**

- 12 gauge 304L Stainless Steel
- 16 gauge 304L Stainless Steel
- 12 gauge 316L Stainless Steel

**Model Names:**

- AA-HRTD-LCx2E-304L-12g
- AA-HRTD-LCx2E-304L-16g
- AA-HRTD-LCx2E-316L-12g

**Finish:** Stainless Steel Satin #4 Finish

**Mounting:** 3/8" Mounting Hole Placements

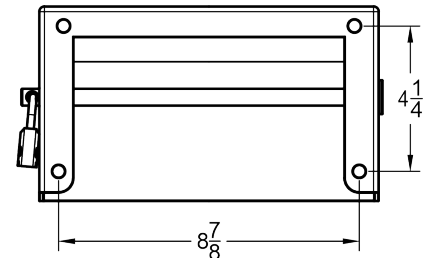
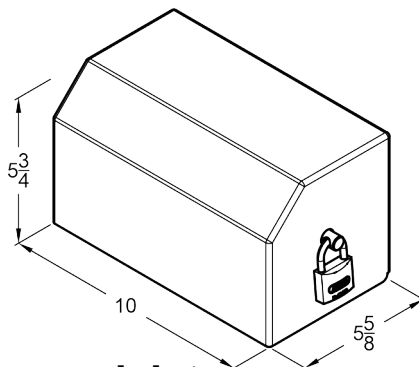
**Capacity:**

- 2 Standard Core Roll Up to 5" Diameter
- 2 High Density Coreless Roll up to 5" Diameter

**Installation:** Secure fixture to wall with appropriate 3/8" Stainless Steel anchoring hardware (not provided) for optimal installation strength. Recommended 3/4" or greater back bracing for walls. Partitions may require T-nuts or other suitable anchoring devices. When possible it is recommended that units be through bolted back-to-back providing optimal installation strength.

**Guide Specification:** Dispenser shall be constructed with American made, 12 or 16 gauge 304L or 12 gauge 316L Stainless Steel joined /w TIG welds and edges deburred. Dispenser shall not be cross-metal contaminated during manufacturing construction. Dispenser housing shall provide protective cover for tissue paper against drip and spray. Protective shroud adds security for padlock. Dispenser shall have 3/8" mounting holes. Dispenser shall accept multiple paper styles. 316L SS shall be used for US Navy maritime use or if exposure to salt water is prevalent.

**Warranty:** See Website Product Page for Details.



[www.vandalstop.com](http://www.vandalstop.com)

Phone  
(530) 894 7867

Vandal Stop Products by Atlas American LLC  
1930 Village Center Circle #3-5871  
Las Vegas, NV 89134

E-Mail  
sales@vandalstop.com

