



AA-SD-PF-CDCR

Manual Boxed Liquid Soap Dispenser - CDCR Compliant



Features:

- Vandal Resistant
- Meets CDCR Requirements
- Made in USA
- Uses Prepackaged Liquid Box
- Surface Mounted
- Corrosion Resistant
- Industry Leading Warranty Against Vandalism

Dimensions: 4 3/4" x 12 1/2" x 4 1/4" (WxHxD)

Weight: 11 lbs

Material Options:

- 12-gauge 304L Stainless Steel

Model Names:

- AA-SD-PF-CDCR-304L-12g

Finish: Stainless Steel Satin # 4 Finish

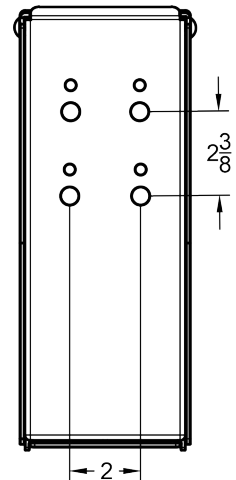
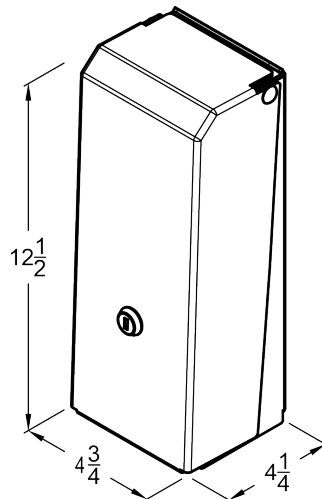
Mounting: 3/8" Surface Mounting Hole Placements

Capacity: Pre-Packaged 800 ml / 27 oz liquid box soap

Installation: Secure fixture to wall with appropriate 3/8" stainless steel anchoring hardware (not provided) for optimal installation strength. Recommend 3/4" or greater back bracing for walls.

Guide Specification: Dispenser shall be constructed with American made, 12 gauge 304L or 12 gauge 316L Stainless Steel joined w/ TIG welds and edges deburred. Dispenser shall not be cross-metal contaminated during manufacturing construction. Dispenser housing shall provide protective cover for automatic foaming dispenser mechanism. Dispenser shall be locked by cylinder keylock. Dispenser shall have 3/8" mounting holes. 316L SS shall be used for US Navy maritime use or if exposure to salt water is prevalent.

Warranty: See Website Product Page for Details.



Phone
(530) 894 7867

www.vandalstop.com

Vandal Stop Products by Atlas American LLC
1930 Village Center Circle #3-5871
Las Vegas, NV 89134

E-Mail
sales@vandalstop.com