



AA-MTL-PL Full Framed Polished Stainless Steel Safety Mirror



Features:

- Vandal Resistant
- Made in USA
- Concealed Torx Security Screw Lockable
- NO GLASS! Reflective Mirror Surface is Polished Stainless Steel
- Protective Sacrificial Polycarbonate for cost-effective repair
- Surface-Mounted
- Corrosion-Resistant
- Industry Leading Warranty against Vandalism

Dimensions:

- 18"x24", 18"x36", 24"x36", 24"x60", 48"x60"
- Custom sizes available upon request
- Depth: 1 1/8"

Weight: Varies by model

Model Names / Material Options:

- AA-MTL-PL-18x24-304L-12g
- AA-MTL-PL-18x36-304L-12g
- AA-MTL-PL-24x36-304L-12g
- AA-MTL-PL-24x60-304L-12g
- AA-MTL-PL-48x60-304L-12g
- See Website for Additional Options

Finish: Stainless Steel Satin #4 Finish

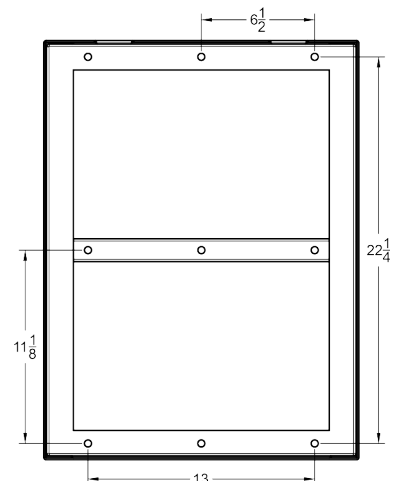
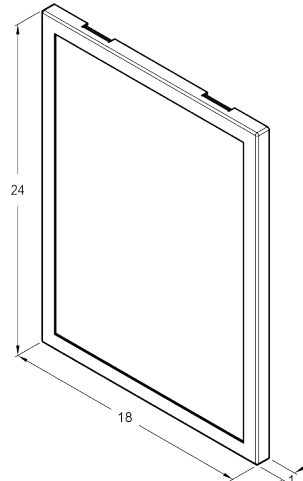
Mounting: 3/8" Surface Mounting Hole Placements

Installation:

Secure fixture to wall with appropriate 3/8" stainless steel anchoring hardware (not provided) for optimal installation strength. Recommended 3/4" or greater back bracing for walls. Partitions may require T-nuts or other suitable anchoring devices.

Guide Specification: Mirror frame shall be constructed with American-made, 12-gauge 304L or 12-gauge 316L Stainless Steel joined w/ TIG welds and edges deburred. Mirror reflective surface shall be constructed with American-made 18-gauge polished Stainless Steel. Mirror shall not be cross-metal contaminated during manufacturing construction. Mirror housing and sacrificial polycarbonate surface shall provide protective cover for polished stainless steel reflective surface. Mirror shall have 3/8" mounting holes. 316L SS shall be used for US Navy maritime use or if exposure to salt water is prevalent.

Warranty: See Website Product Page for Details.



www.vandalstop.com

Phone
(530) 894 7867

Vandal Stop Products by Atlas American LLC
1930 Village Center Circle #3-5871
Las Vegas, NV 89134

E-Mail
sales@vandalstop.com

