



VSP-RDx2

Vertical Two Roll Standard Toilet Paper Dispenser



Features:

- Vandal Resistant
- Drip Deflective
- Surface Mounted
- Corrosion Resistant
- Industry Leading Warranty against Vandalism

Dimensions: 5 7/8" x 13 1/4" x 6 3/8" (WxHxD)

Weight: 12 lbs - 12-gauge Stainless Steel
9 lbs - 14-gauge Stainless Steel

Material Options:

- 12-gauge 304L Stainless Steel
- 14-gauge 304L Stainless Steel
- 12-gauge 316L Stainless Steel

Model Names:

- VSP-RDx2-304L-12g
- VSP-RDx2-304L-14g
- VSP-RDx2-316L-12g

Finish: Stainless Steel Satin #4 Finish

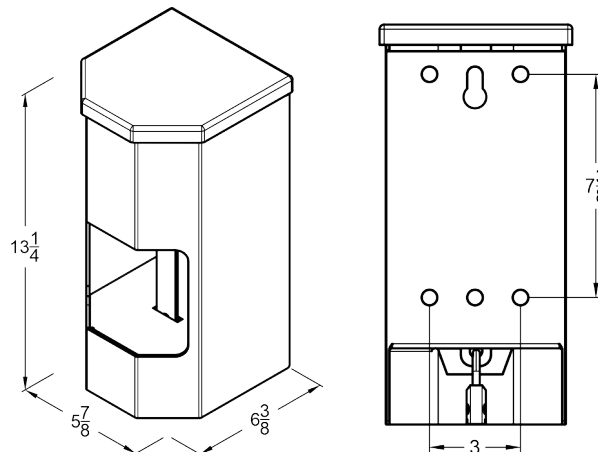
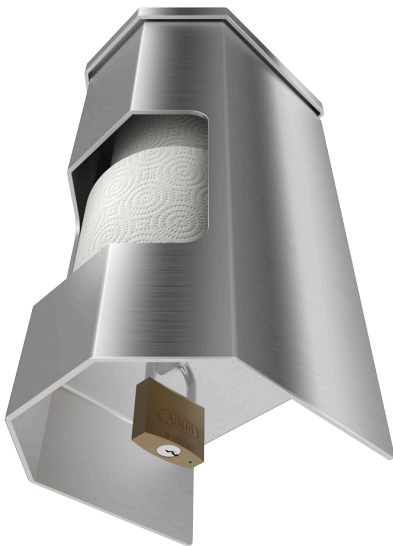
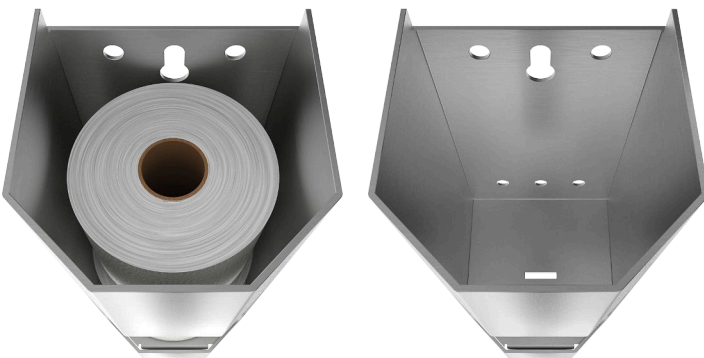
Mounting: 3/8" Surface Mounting Hole Placements

Capacity: Two Standard Core 5" Toilet Tissue Rolls

Installation: Secure fixture to wall with appropriate 3/8" stainless steel anchoring hardware for optimal installation strength (not provided). Recommended 3/4" or greater back bracing for walls. Partitions may require T-nuts or other suitable anchoring devices. When possible it is recommended that units be through bolted back to back providing optimal installation strength.

Guide Specification: Dispenser shall be constructed with American made, 12 or 14 gauge 304L or 12 gauge 316L Stainless Steel joined /w TIG welds and edges deburred. Dispenser shall not be cross-metal contaminated during manufacturing construction. Dispenser housing shall provide protective cover for tissue paper against drip and spray. Protective shroud adds security for padlock. Dispenser shall have 3/8" mounting holes. Dispenser shall accept multiple paper styles. 316L SS shall be used for US Navy maritime use or if exposure to salt water is prevalent.

Warranty: See Website Product Page for Details.



www.vandalstop.com

Phone
(530) 894 7867

Vandal Stop Products by Atlas American LLC
1930 Village Center Circle #3-5871
Las Vegas, NV 89134

E-Mail
sales@vandalstop.com

