



## VSP-JRDx5

### Five Roll Standard Toilet Paper Dispenser

**Features:**

- Vandal Resistant
- Spray and Drip Deflective
- Protective Shroud for Padlock
- Surface Mounted
- Accommodates Multiple Paper Styles
- Corrosion Resistant
- Industry Leading Warranty against Vandalism

**Dimensions:** 17 <sup>7</sup>/<sub>8</sub>" x 15 <sup>7</sup>/<sub>8</sub>" x 5 <sup>3</sup>/<sub>4</sub>" (WxHxD)

**Weight:** 25 lbs - 12-gauge Stainless Steel  
19 lbs - 14-gauge Stainless Steel

**Material Options:**

- 12-gauge 304L Stainless Steel
- 14-gauge 304L Stainless Steel
- 12-gauge 316L Stainless Steel

**Model Names:**

- VSP-JRDx5-304L-12g
- VSP-JRDx5-304L-14g
- VSP-JRDx5-316L-12g

**Finish:** Stainless Steel Satin #4 Finish

**Mounting:** 3/8" Mounting Hole Placements

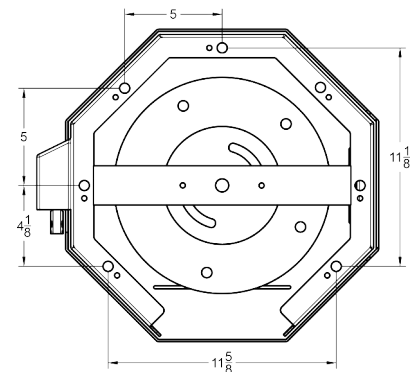
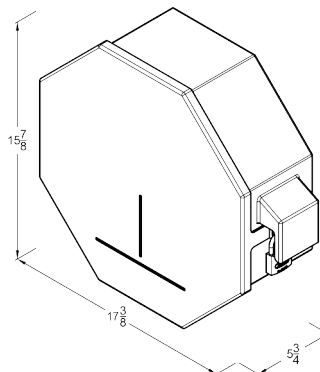
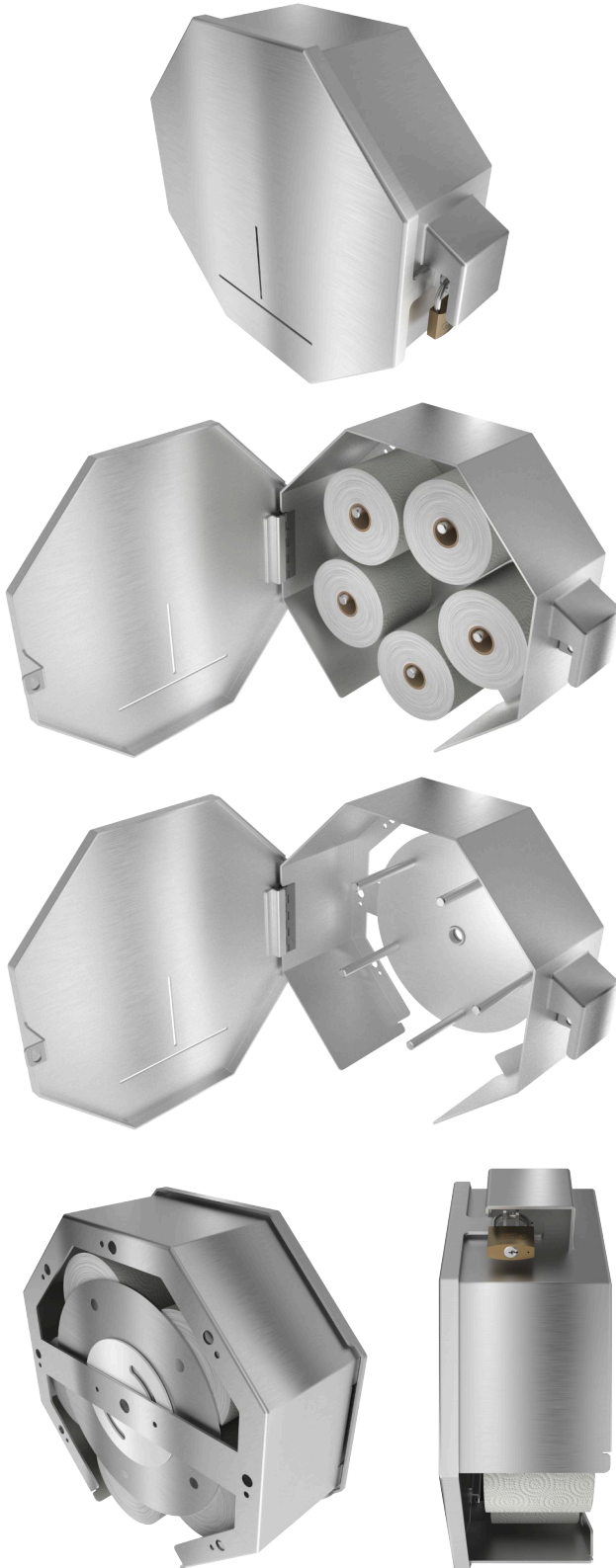
**Capacity:**

- 5 Standard Core 5" Rolls
- 5 High Density 5" Coreless Rolls

**Installation:** Secure fixture to wall with appropriate <sup>3</sup>/<sub>8</sub>" stainless steel anchoring hardware (not provided) for optimal installation strength. Recommended 3/4" or greater back bracing for walls. Partitions may require T-nuts or other suitable anchoring devices. When possible it is recommended that units be through bolted back-to-back providing optimal installation strength.

**Guide Specification:** Dispenser shall be constructed with American made, 12 or 14 gauge 304L or 12 gauge 316L Stainless Steel joined /w TIG welds and edges deburred. Dispenser shall not be cross-metal contaminated during manufacturing construction. Dispenser housing shall provide protective cover for tissue paper against drip and spray. Protective shroud adds security for padlock. Dispenser shall have 3/8" mounting holes. Dispenser shall accept multiple paper styles. 316L SS shall be used for US Navy maritime use or if exposure to salt water is prevalent.

**Warranty:** See Website Product Page for Details.



**Phone**  
(530) 894 7867

**www.vandalstop.com**

Vandal Stop Products by Atlas American LLC  
1930 Village Center Circle #3-5871  
Las Vegas, NV 89134

**E-Mail**  
sales@vandalstop.com